



Features

- ◇ For IF SAW filter
- ◇ Single-ended operation
- ◇ Ceramic Surface Mount Package
- ◇ Small size
- ◇ RoHS compliant (2002/95/EC), Pb-free

Specifications

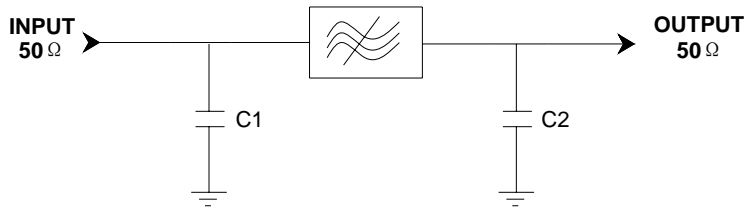
| Parameter | Unit | Minimum | Typical | Maximum |
|---|----------------------------|---------|---------|---------|
| Center Frequency | MHz | - | 889 | - |
| Insertion Loss($f_0 \pm 4.75\text{MHz}$) | dB | - | 30.9 | 32 |
| 1.5 dB Bandwidth | MHz | - | 9.24 | - |
| 3 dB Bandwidth | MHz | 9.45 | 9.49 | - |
| 35 dB Bandwidth | MHz | - | 11.03 | 11.1 |
| 40 dB Bandwidth | MHz | - | 11.18 | - |
| Passband Variation($f_0 \pm 4.75\text{MHz}$) | dB | - | 0.9 | 1.5 |
| Group Delay Variation($f_0 \pm 4.75\text{MHz}$) | nsec | - | 260 | 300 |
| Absolute Delay | usec | - | 1.9 | - |
| Ultimate Rejection($f_0 \pm 10\text{MHz}$) | dB | 40 | 43 | - |
| Material Temperature coefficient | KHz/°C | 0.89 | | |
| Substrate Material | - | Qz | | |
| Ambient Temperature | °C | 25 | | |
| DC Voltage | V | 0 | | |
| Input Power | dBm | - | - | 10 |
| ESD Class | - | 1C | | |
| Package Size | DIP2212 (22.2x12.8x4.7mm3) | | | |

Notes:

1. All specifications are based on the test circuit shown;
2. In production, all specifications are measured by Agilent Network analyzer and full 2 port calibration at room temperature;
3. Electrical margin has been built into the design to account for the variations due to temperature drift and manufacturing tolerances;
4. This is the optimum impedance in order to achieve the performance show.

| | | | | |
|--|--|-------------|------------|----------|
| | SIPAT Co., Ltd. (CETC No.26 Research Institute) #14 Nanping Huayuan Road, Chongqing, China, 400060 | Part Number | LBS88901 | |
| | | Rev. Date | 2010-12-29 | |
| | | Ver. | 1.0 | Page 1/3 |

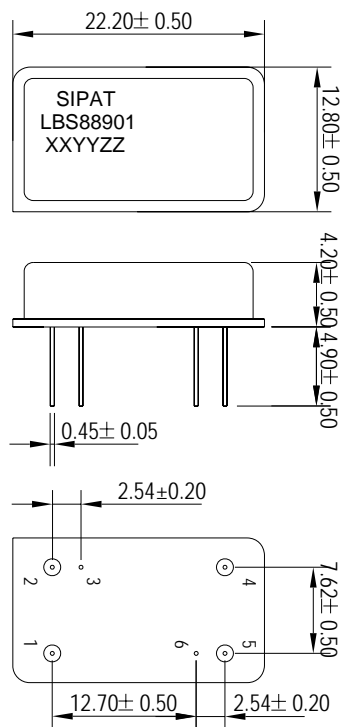
Matching Configuration



C1=4.7pF C2=6.8pF
Source/Load Impedance=50 ohm

Notes - Component values may change depending on board layout.

Package Dimension



Pad Configuration:

Input: 1
Output: 4
Ground: All Others

Marking Configuration:

- 1) SIPAT: Manufacturer Name
- 2) LBS88901: Part Number
- 3) XXYY: Date(Year/month)
- 4) ZZ: Identified Code

Package: DIP2212

Unit: mm

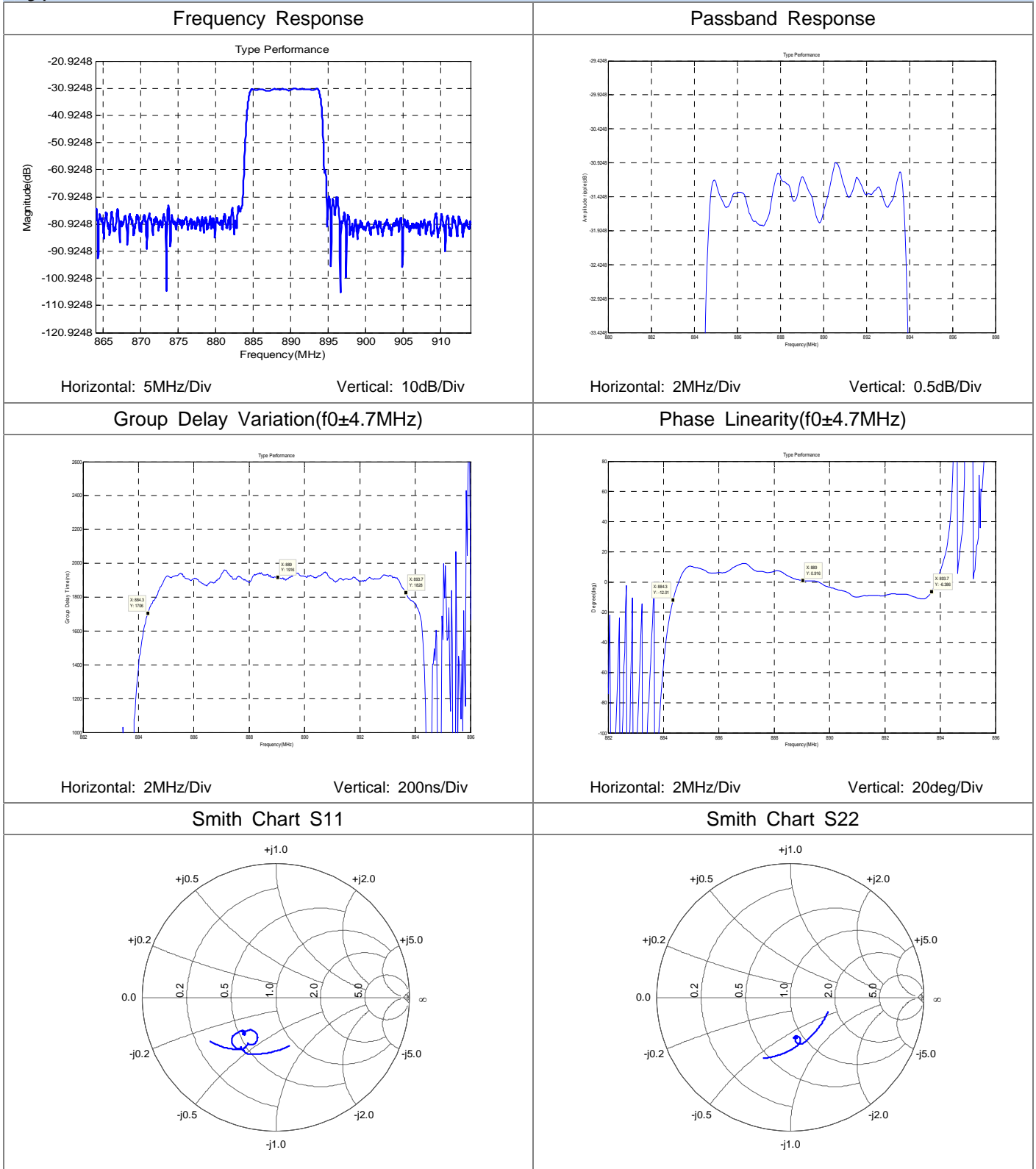


SIPAT Co., Ltd.
(CETC No.26 Research Institute)
#14 Nanping Huayuan Road,
Chongqing, China, 400060

| | | |
|-------------|------------|----------|
| Part Number | LBS88901 | |
| Rev. Date | 2010-12-29 | |
| Ver. | 1.0 | Page 2/3 |



Typical Performance



SIPAT Co., Ltd.
(CETC No.26 Research Institute)
#14 Nanping Huayuan Road,
Chongqing, China, 400060

| | | |
|-------------|------------|----------|
| Part Number | LBS88901 | |
| Rev. Date | 2010-12-29 | |
| Ver. | 1.0 | Page 3/3 |